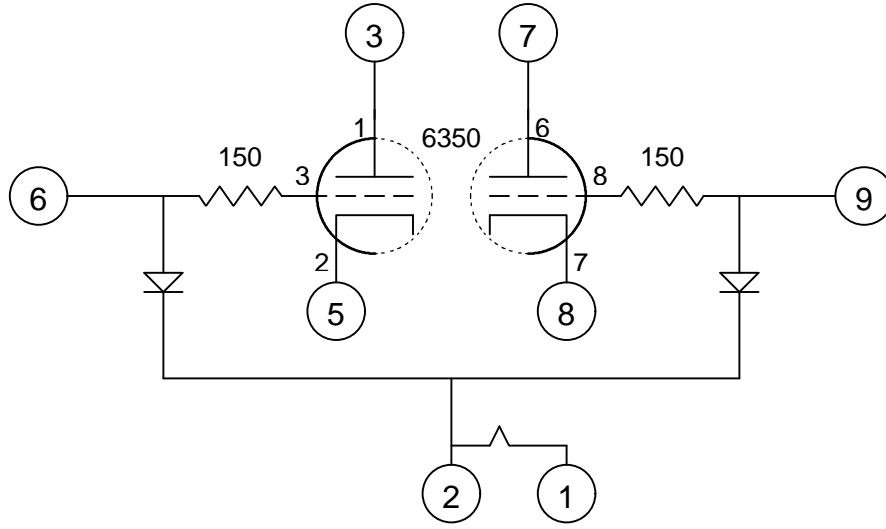
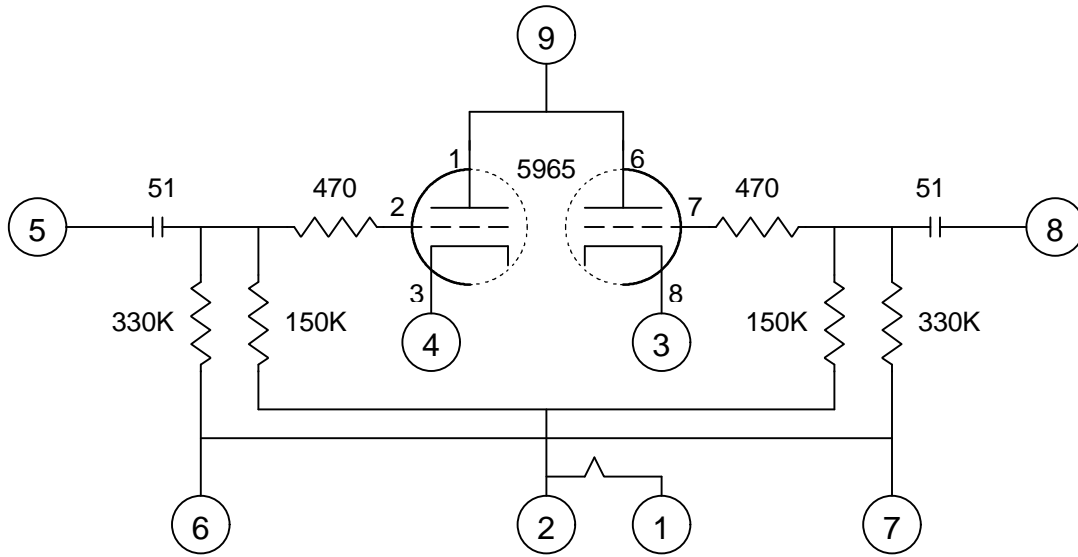


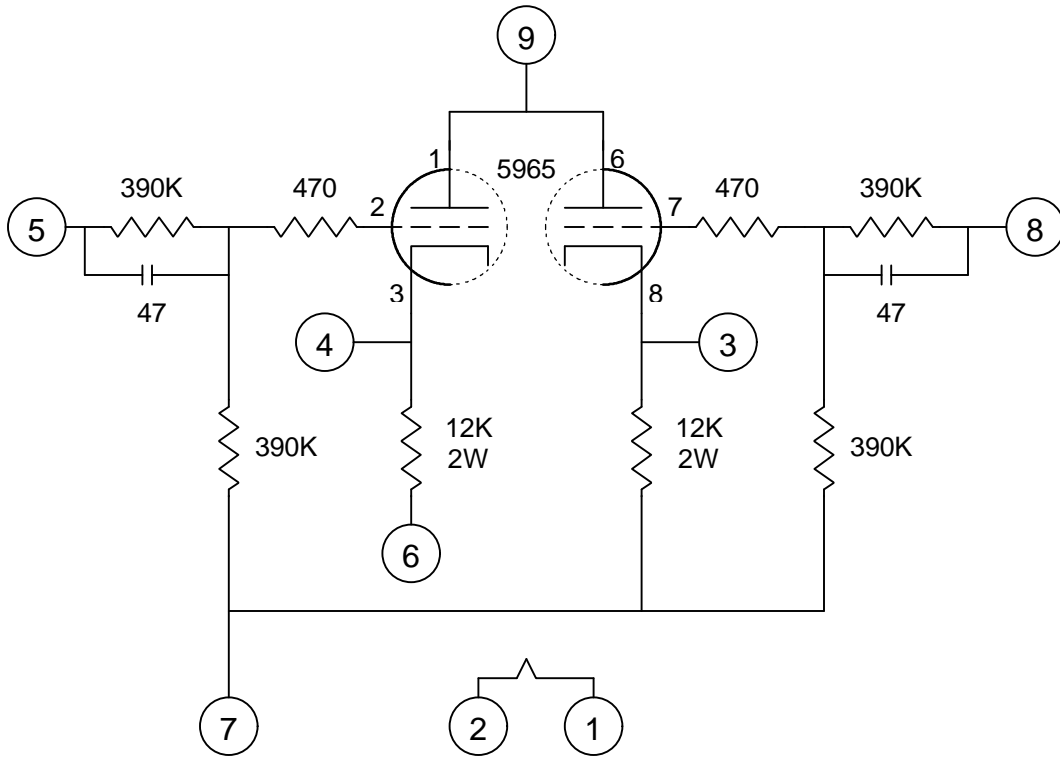
CD-1



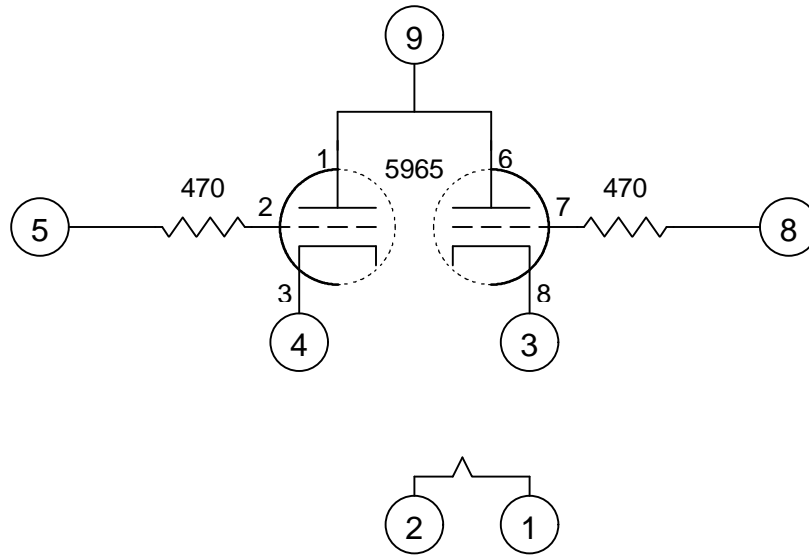
CF-1



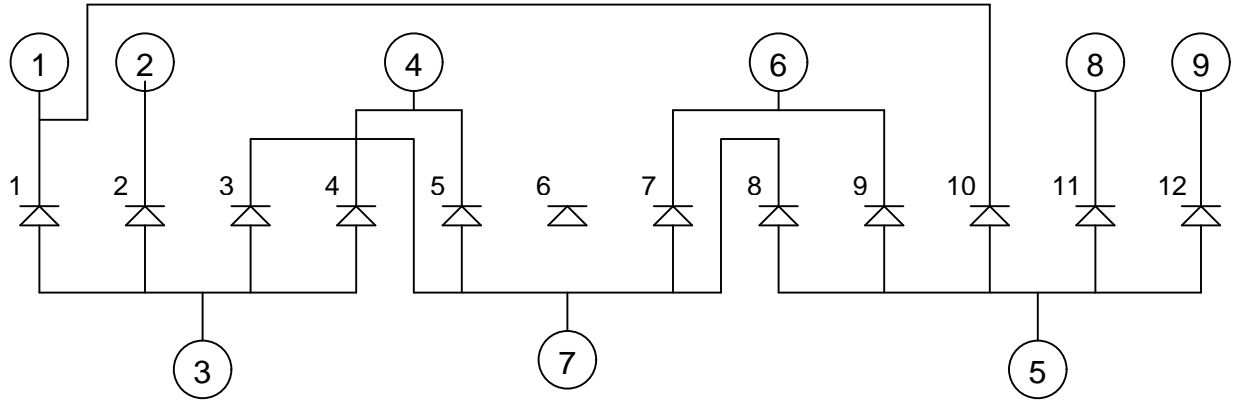
CF-5



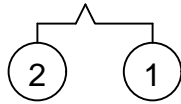
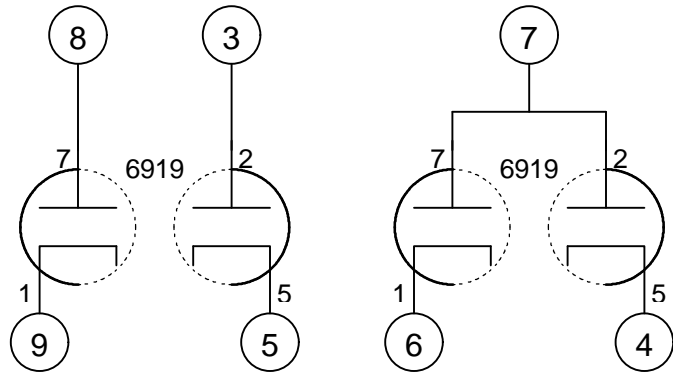
CF-10



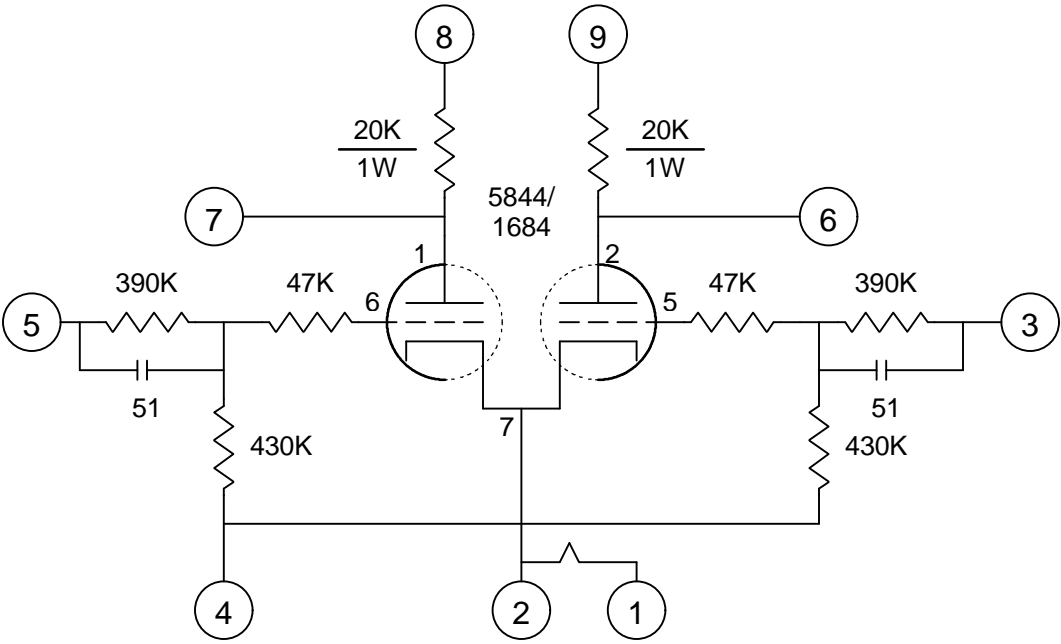
D-11



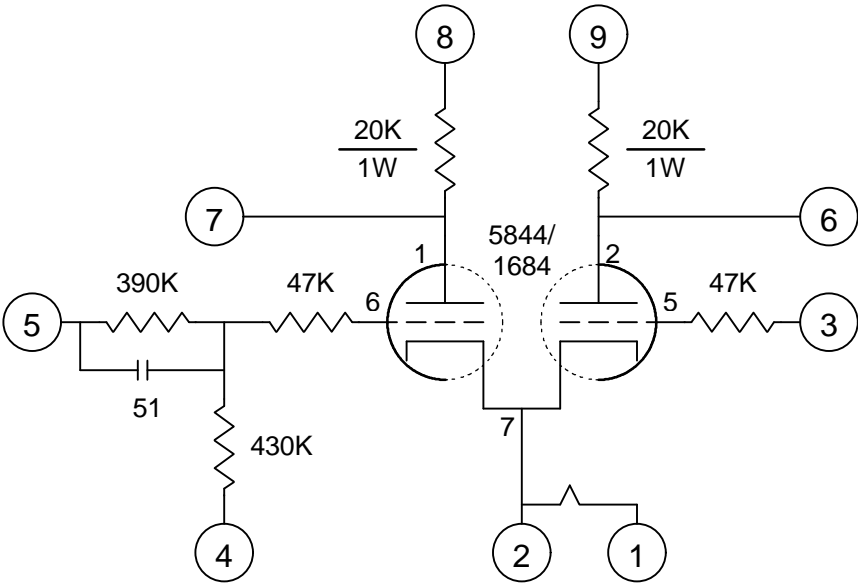
DS-12



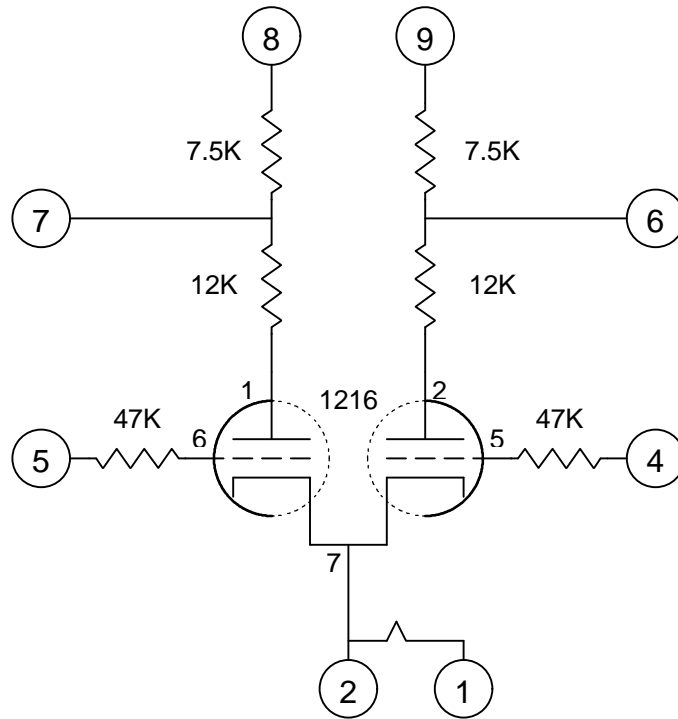
IN-5



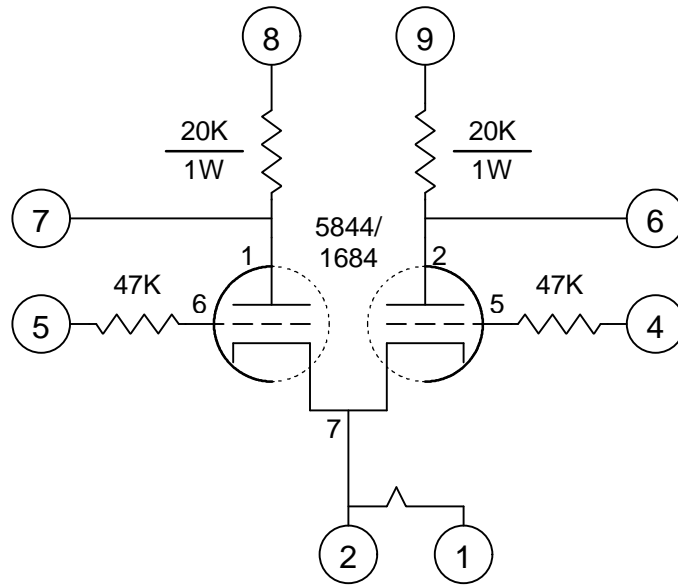
IN-6



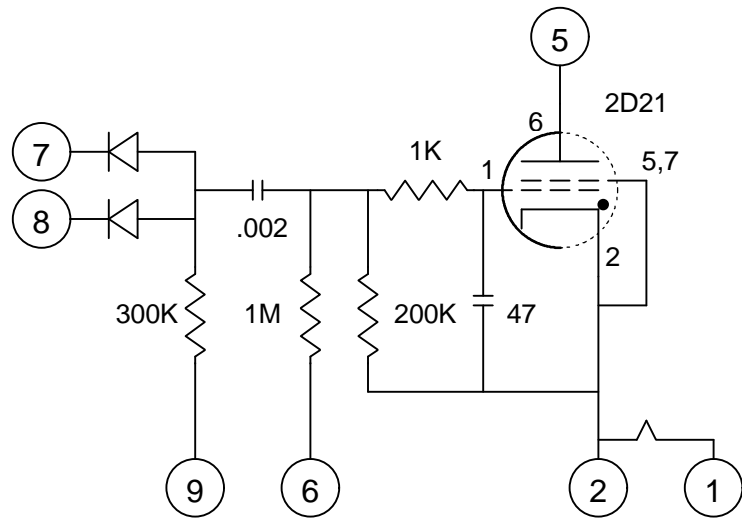
IN-11



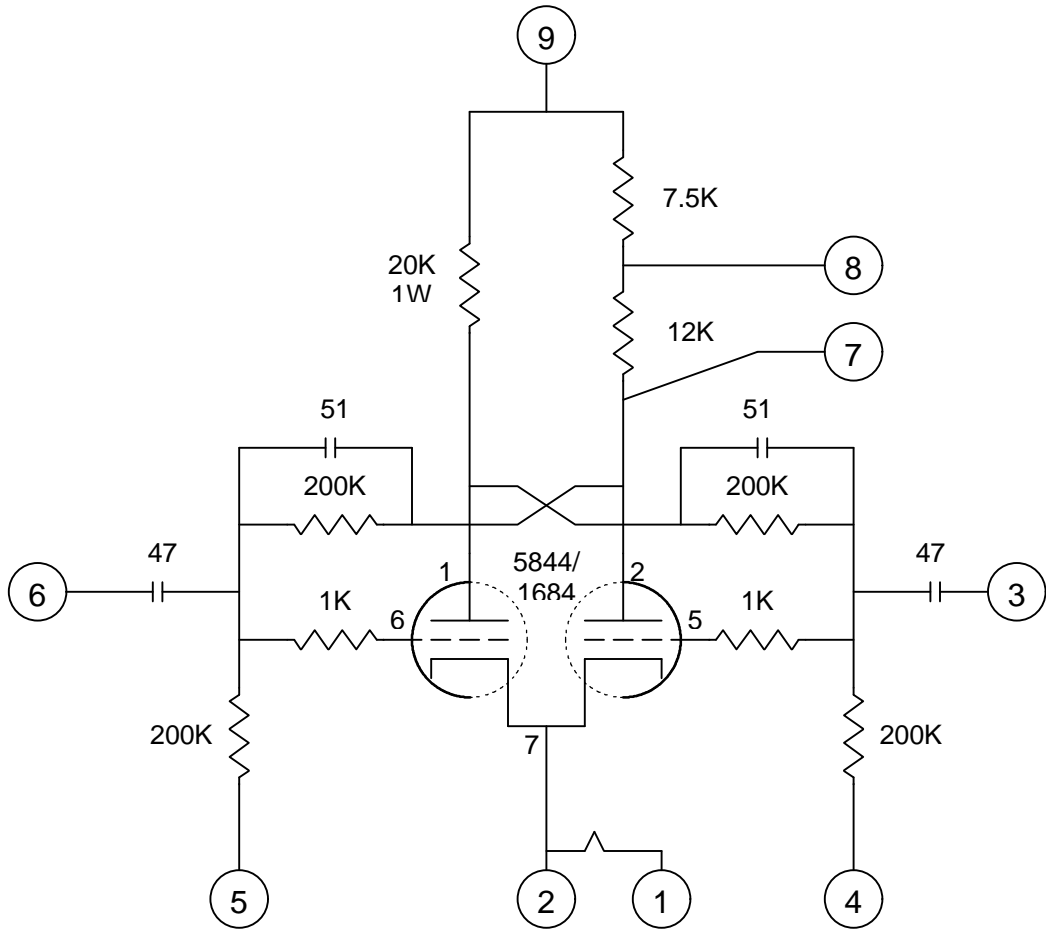
IN-13



TH-18



TR-4



TR-56

